

HI-R : 888RF



HI-R SYSTEMS
ELECTRONIC SECURITY SYSTEMS



FEATURES

HI-R 888RF – no wiring RF adopts USA TEMIC and Philips company Card standards. Completely independent, and standalone can controlled by RF card which are coded by computer Hotel Lock software. It is made of Strong steel for impact resistant, High Quality eletrophoretic paint, Panic Release, Low power consumption batteries can last for 10 months. With emergency mechanical key, cards are limited with time programmed, with grouping card functions such as master, building, floor, waiter, and guest cards.

SPECIFICATIONS

❖ Performance Index

Applicable card: TEMIC® contactless RF card or MIFARE ONE® contactless RF card.

Power supply: 4 standard AAA alkaline batteries.

Battery life: About 10 months in normal state,

Low voltage warning:

Static consumption: 12uA.

Dynamic consumption: 200mA.

Open time: The lock will be locked again automatically 7 seconds after unlocking.

Reliability of card operation: No accident for 1000 times of continuous card operation.

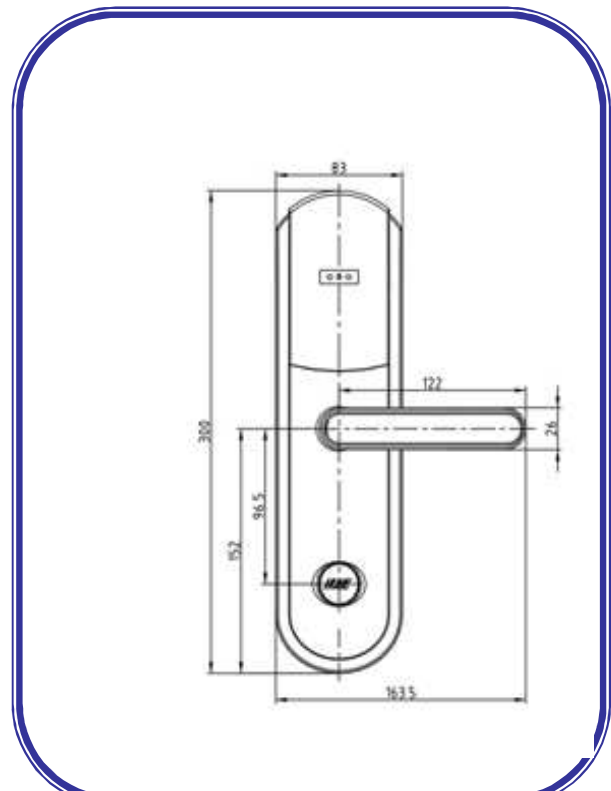
Emergency unlocking:

Panel (Escutcheon) size: 300mm(Height) ×83mm (Width) ×26.5mm (Thickness).

Mortise size: 204mm(Height) ×106mm (Width) ×23mm (Thickness).

Weight: 4.0Kg.

Handle orientation: left or right hand push to open;



SCHEMATIC DIAGRAM & APPLICATIONS

Note: Designed & Specifications are subject to change without prior notice.

Authorized Distributor:

HI-R TECHNOLOGY & SERVICE CO.
2/F Alba Bldg., Km.21, West Service Rd., Cupang Muntinlupa City
Contact: 02-772-2765-66; Telefax: 02-772-2765
Email: hir.main@gmail.com; www.hirtechnology.tvpepad.com